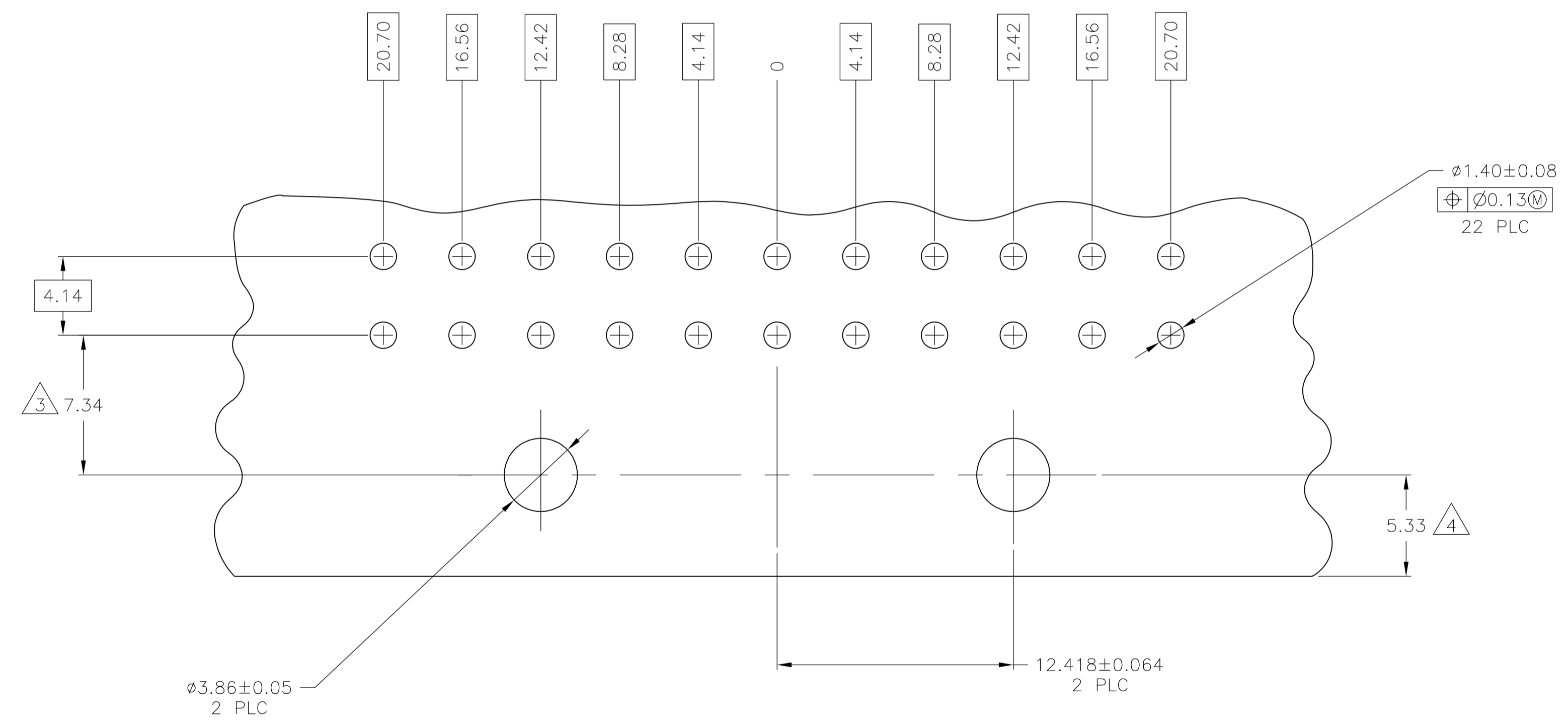
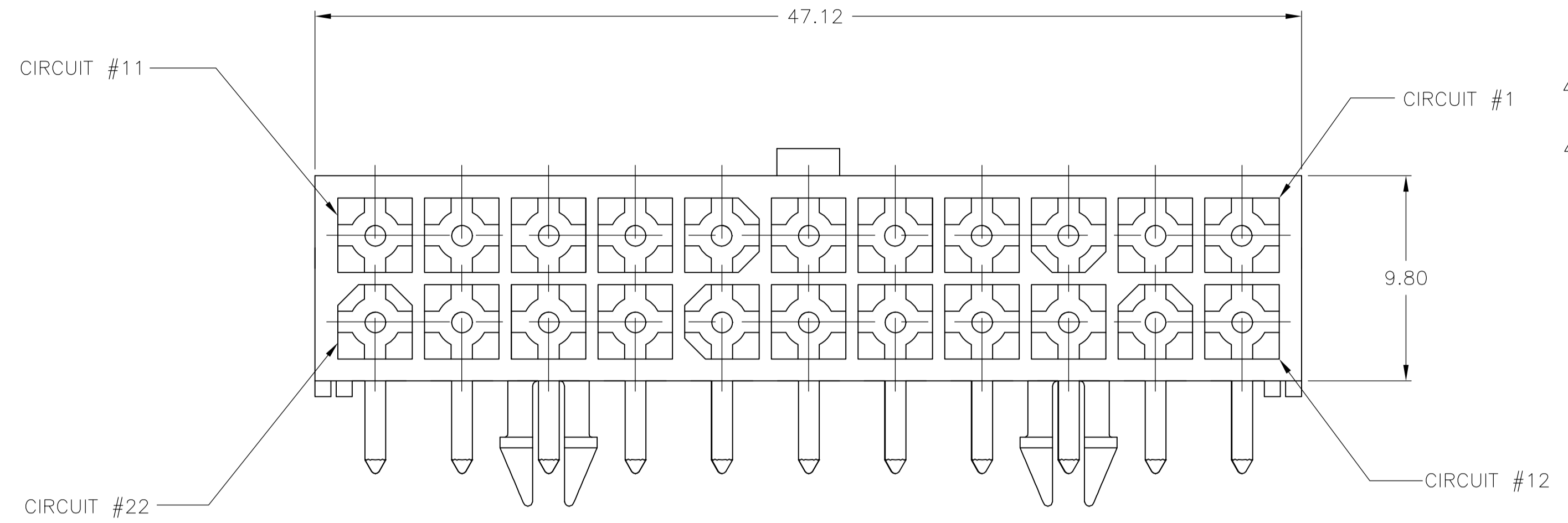
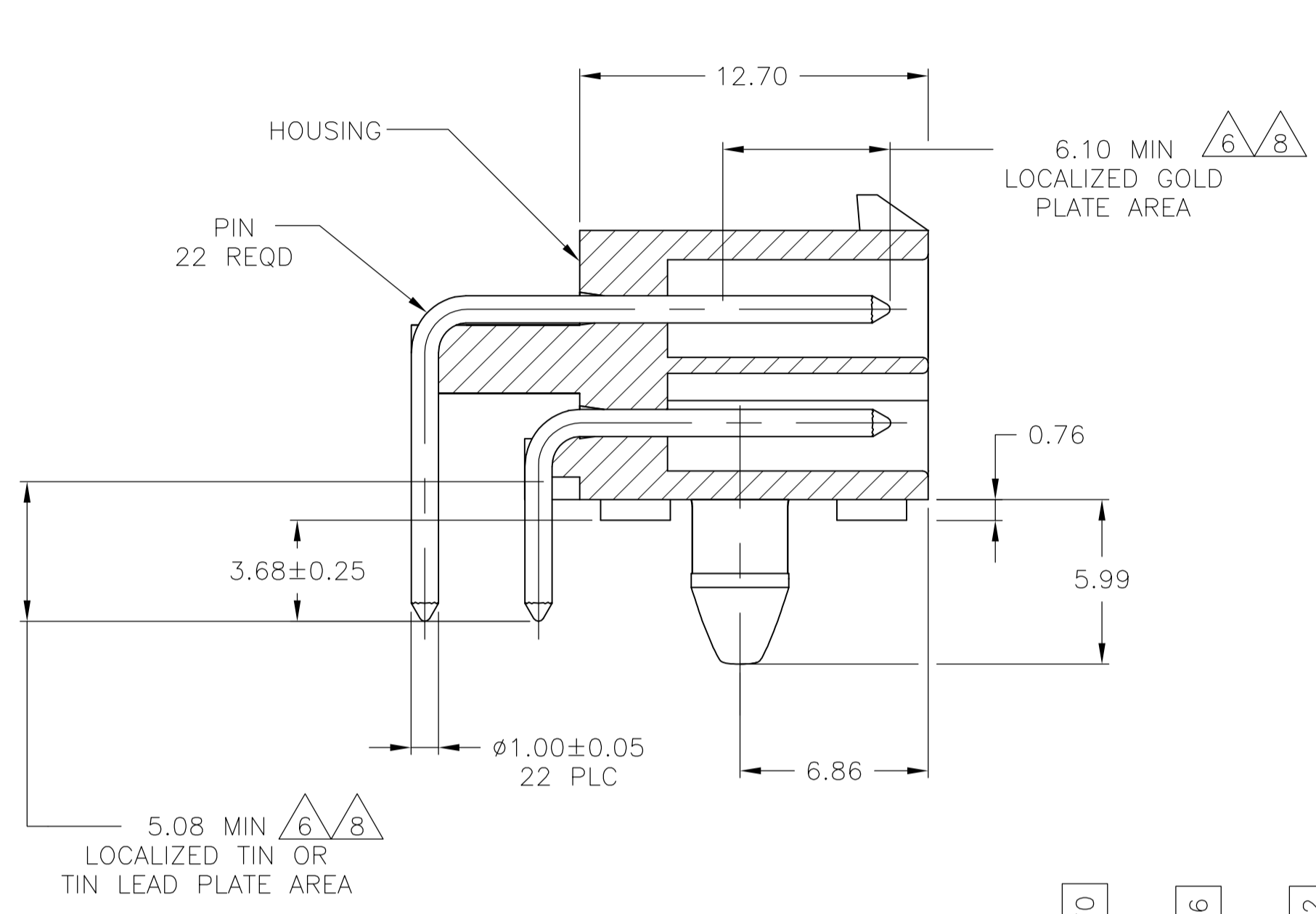


LOC		DIST		REVISIONS				
P	LTR	DESCRIPTION	DATE	DWN	APVD			
C		REVISED PER ECR-15-010337	24JUL2015	RK	SC			

- PINS TO COMPLY WITH AMP SOLDERABILITY SPEC 109-11-3.
- MATES WITH PLUG P/N 770586-1.
- COORDINATE DIMENSION APPLIES FROM CENTER OF ACTUAL FEATURE.
- RECOMMENDED FOR EDGE MOUNTING.
- 0.00381 MIN MATTE TIN LEAD PLATE OVER 0.00127 MIN NICKEL.
- 0.00076 MIN GOLD PLATE IN THE LOCALIZED GOLD PLATE AREA, 0.00381 MATTE TIN LEAD IN THE LOCALIZED PLATE AREA, BOTH OVER 0.00127 MIN NICKEL.
- 0.00381 MIN MATTE TIN PLATE OVER 0.00127 MIN NICKEL.
- 0.00076 MIN GOLD PLATE IN THE LOCALIZED GOLD PLATE AREA, 0.00381 MIN MATTE TIN IN THE LOCALIZED TIN PLATE AREA, BOTH OVER 0.00127 MIN NICKEL.



RECOMMENDED MOUNTING HOLE PATTERN FOR 1.57 THICK P.C. BOARD

MM	IN	MM	IN	MM	IN
1.00	.039	6.86	.270	-	-
0.76	.030	6.10	.240	47.12	1.855
0.25	.010	5.99	.236	20.70	.815
0.13	.005	5.33	.210	16.56	.652
0.08	.003	5.08	.200	12.70	.500
0.064	.0025	4.14	.163	12.42	.489
0.05	.002	3.86	.152	12.418	.4889
0.00381	.000150	3.68	.145	9.80	.386
0.00127	.000050	1.57	.062	8.28	.326
0.00076	.000030	1.40	.055	7.34	.289
MM	IN	MM	IN	MM	IN

CONVERSION TABLE

MATERIAL	FINISH	MATERIAL	COLOR	PART NO
BRASS	GOLD	NYLON, UL94V-0	WHITE	1-794107-1
BRASS	TIN LEAD	NYLON, UL94V-0	WHITE	1-794107-0
BRASS	TIN LEAD	NYLON, UL94V-0	WHITE	794107-2
BRASS	TIN LEAD	NYLON, UL94V-0	WHITE	794107-1

PIN		HOUSING	
0 PLC	± -	DIN	K. WHITAKER 02APR96
1 PLC	± -	CHK	R. SWING 02APR96
2 PLC	± 0.13	APP'D	R. ORSTAD 02APR96
3 PLC	± -	NAME	TE Connectivity
4 PLC	± -	PRODUCT SPEC	HEATER ASSEMBLY, RIGHT ANGLE, W/SHORT PEG, 22 CIRCUIT, MINI UNIVERSAL MATE-N-LOK(TM)
ANGLES	± -	APPLICATION SPEC	
		SIZE	A1
		SCALE	5:1
		SHEET	1 OF 1
		REV	C